

Field Communication Software

CommStaff [Ver. 3.1]

Model CFS100

Overview

Field Communication Software CommStaff Model CFS100 allows the user to configure and adjust smart field devices using a PC.

In addition to supporting Azbil Corporation's proprietary SFN communication protocol for smart field devices, with a change of the communication interface CommStaff supports the HART communication protocol.

Parameter settings can be saved to simplify field device management.

Features

Supports HART and SFN communication protocols.

With a change of the communication interface, CommStaff supports both the HART and SFN communication protocols.

Ease-of-use increases fieldwork efficiency

The easy-of-use five-point check function increases efficiency during loop checks.

Easy management of configured parameters

- Parameter settings can be saved by Tag No.
- As needed, parameter settings can be exported as either a CSV file (text file) or as a PDF.



Note: Personal computers are sold separately

Specifications

PC system

• Software

OS: Windows 7 Professional, Windows 8.1 Professional or Windows 10 Professional
(32-bit or 64-bit, Japanese or English version)

• Hardware

Free disk space: 500 MB min.
USB ports: One, USB 2.0 or higher
CD-ROM drive: Needed for installation only

SFN communication interface

USB connection: USB 2.0

Power: Supplied via the USB port
(rated current 22 mA; max. 30 mA)

Connection to PC: USB Type A plug

Connection to device: Alligator clip or easy hook

Environment:

Operating temperature; 0 to +50°C
Transport/storage temp.; -40 to +70°C
Operating humidity; 5 to 95 % RH

HART communication interface

Azbil Corporation recommends the following and cannot guarantee the operation of other products.

Manufacturer; MACTek Corporation
Model number; Model 010031
(USB connection type)

Note: In case of HART communication, it cannot communicate simultaneously with other HART hosts.

Supported models

Available Not supported Not yet available

Supported Models	Communication Protocol			Operation Manual
	SFN	DE	HART	
AT9000 Advanced Transmitter Model GTX/SuperAce	✓	✓	✓	Included with the installation CD-ROM
ST3000 Smart Transmitter	✓	✓	✓	Included with the installation CD-ROM
ST3000 Smart Multivariable Flow Transmitter Model JTD720A	✓	✓	Not supported	Included with the installation CD-ROM
PTG series Smart Pressure Transmitter Model PTG	✓	✓	✓	Included with the installation CD-ROM
ThermoPLUS Advanced Temperature Transmitter Model ATT (In case of SFN/DE communication, can apply for software version 3.5 or later.)	Ver 3.5 or later	Ver 3.5 or later	✓	Included with the installation CD-ROM
Steam Flowmeter STEAMcube Model MVC	✓	Not supported	Not supported	Included with the installation CD-ROM
Smart Displacement type Level Transmitter Model SLX	✓	Not supported	Not supported	Included with the installation CD-ROM
Smart ALTI3000 Immersion Type Liquid Level Transmitter Model JTL	✓	Not supported	Not supported	Included with the installation CD-ROM
Smart Valve Positioner 700 Series Model AVP70_	Not supported	Not supported	✓	Refer to the device's manual
Smart ESD Device 700 Series for Safety Instrumented Systems (SIS) Model AVP77_178_179_	Not supported	Not supported	✓	Refer to the device's manual
Smart Valve Positioner 20_/30_ Series Model AVP (In case of HART communication, can apply for software version 3.9 or later.)	✓	✓	Ver 3.9 or later	Included with the installation CD-ROM
Smart Valve Positioner for Rotary Valve Model SVX (In case of HART communication, can apply for software version 4.A or later.)	✓	✓	Ver 4.A or later	Included with the installation CD-ROM
MagneW3000 PLUS+ Smart Electromagnetic Flowmeter Model MGG (In case of SFN/DE communication, can apply for software version 6.0 or later. In case of HART communication, can apply for software version 5.0 or later.)	Ver 6.0 or later	Ver 6.0 or later	Ver 5.0 or later	Included with the installation CD-ROM
MagneW Two-wire PLUS+ Smart Electromagnetic Flowmeter Model MTG (In case of SFN/DE communication, can apply for software version 5.0 or later.)	Ver 5.0 or later	Ver 5.0 or later	✓	Included with the installation CD-ROM
GasCVD Natural Gas Calorimeter	Not supported	Not supported	✓	Refer to the device's manual
Advanced Temperature Transmitter Model ATT082	Not supported	Not supported	✓	Refer to the device's manual

We support only the products, which are manufactured by Azbil corporation.

Model Number Configuration Table

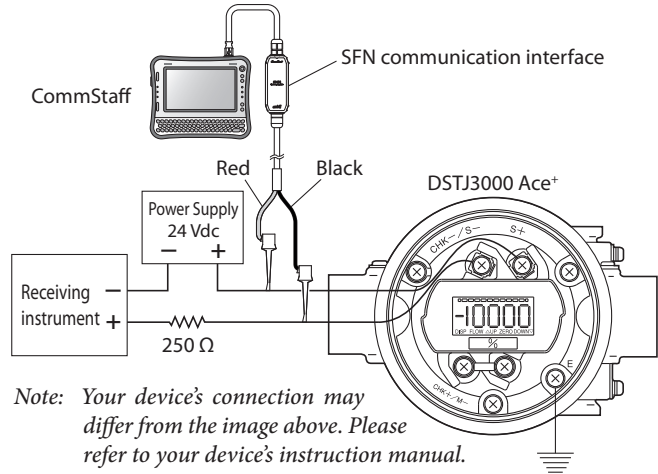
CommStaff CFS100 Smart communicator

Base number

CFS100		-		
Connection	USB connection		U	
Communication interface^{*1}	none			X
	SFN communications interface (alligator clip)			1
	SFN communications interface (easy hook)			2
Option	none			X

*1. To use the HART communication protocol, select "X" here, and purchase the HART communication interface separately.

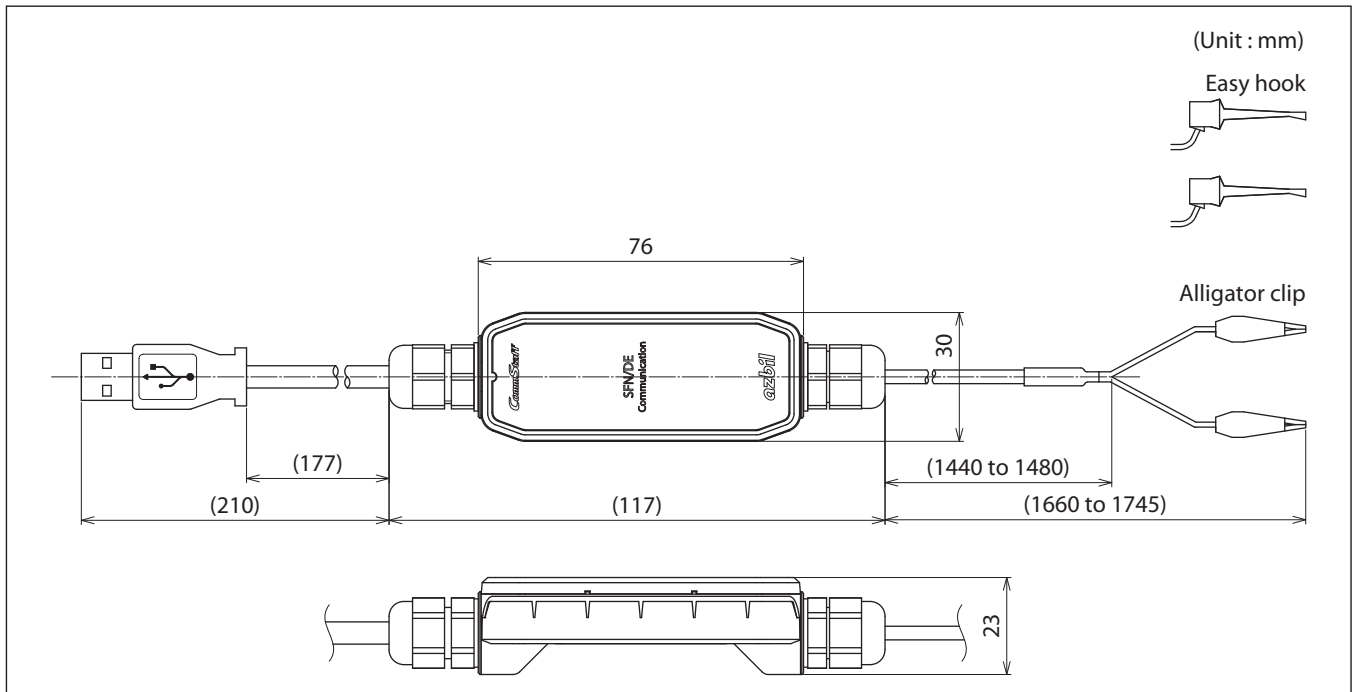
Connection Example



Note: Your device's connection may differ from the image above. Please refer to your device's instruction manual.

Figure 1. Example of SFN communication connection using CommStaff.

External Dimensions



HART® is registered trademark of HART Foundation.
Windows® is registered trademark of Microsoft Corporation in the United States and other countries.

Please, read 'Terms and Conditions' from following URL before the order and use.
<http://www.azbil.com/products/factory/order.html>

Specifications are subject to change without notice.

azbil

Azbil Corporation
Advanced Automation Company

1-12-2 Kawana, Fujisawa
Kanagawa 251-8522 Japan
URL: <http://www.azbil.com/>

1st edition: Jan. 2011
8th edition: May 2016

No part of this publication may be reproduced or duplicated without the prior written permission of Azbil Corporation.