

# Regulator with Filter

## Model KZ03

### OVERVIEW

The Regulator with Filter provides a constant pressure of clean, dry supply air to pneumatic instruments and control valves. An air-set incorporated with a pressure adjustment wheel can be used for manual driving of a pneumatic cylinder and for manual setting of a pneumatic signal.



### SPECIFICATIONS

Model no.	KZ03-1	KZ03-2	KZ03-3	
Primary pressure (kPa)	Secondary pressure +50 or more (970 max.)			
Secondary pressure (kPa)	140 ± 4 (fixed)	12 to 400 (variable)	12 to 700 (variable)	
Performance				
Pressure regulation	Change of secondary pressure (kPa)	140 ± 4 for primary pressure change of 200 to 970	400 ± 4 for primary pressure change of 450 to 970	700 ± 4 for primary pressure change of 800 to 970
Flow characteristics	1) KZ03-1 (for prim. press. 300 - 900 kPa) 2) KZ03-2 (for prim. press. 500 - 900 kPa) 3) KZ03-3 (for prim. press. 800 - 900 kPa)			
Air consumption	0.95 l/min(N) or less			
Material	Filter: Sponge, 3 μm (option: 3 μm stainless filter) Case: Aluminum diecast External screws and drain wing bolt: Stainless steel			
Ambient temperature	-30 to 80°C			
Air pressure connections	Rc1/4 or 1/4NPT internal thread			
Drain capacity	22 cm <sup>3</sup>			
Weight	0.7 kg			
Maximum flow	200 l/min (secondary pressure drop: 25 kPa or less)			

**MODEL SELECTION**

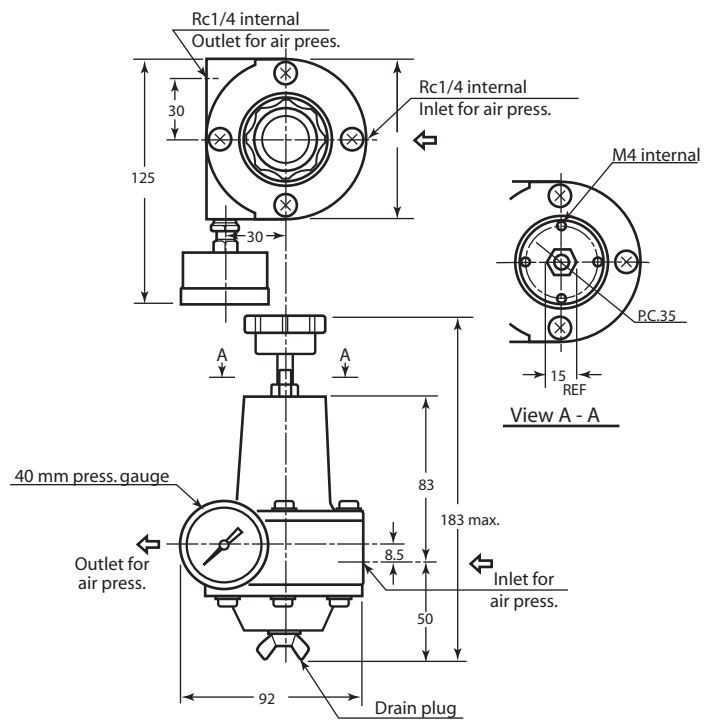
**Pressure regulator with filter**

Model KZ03 - I II - III IV

Basic model no.		Selections		Optional selections
KZ03				
I	Ps = 140 ± 4 kPa	1		
	Available supply pressure (Ps): Ps ≤ 400 kPa	2		
	Available supply pressure (Ps): 400 < Ps ≤ 700 kPa	3		
II	Rc1/4 internal (Standard)	A		
	1/4NPT female	B		
III	Without pressure gauge			XX
IV	1½ inch (40 mm) with pressure gauge (scale)			
	Primary maximum scale & unit		Secondly unit	Recommended supply pressure
	2	kgf/cm <sup>2</sup>	none	Ps ≤ 1.5 kgf/cm <sup>2</sup>
	4			1.5 < Ps ≤ 3.0 kgf/cm <sup>2</sup>
	6			3.0 < Ps ≤ 4.5 kgf/cm <sup>2</sup>
	10			4.5 < Ps ≤ 7.0 kgf/cm <sup>2</sup>
	30	psi	none	Ps ≤ 22 psi
	60			22 < Ps ≤ 45 psi
	100			45 < Ps ≤ 65 psi
	150			65 < Ps ≤ 100 psi
	2	bar	none	Ps ≤ 1.5 bar
	4			1.5 < Ps ≤ 3.0 bar
	6			3.0 < Ps ≤ 4.5 bar
	10			4.5 < Ps ≤ 7.0 bar
	200	kPa	none	Ps ≤ 150 kPa
	400			150 < Ps ≤ 300 kPa
	600			300 < Ps ≤ 450 kPa
	1,000			450 < Ps ≤ 700 kPa
	0.2	MPa	none	Ps ≤ 0.15 MPa
	0.4			0.15 < Ps ≤ 0.3 MPa
	0.6			0.3 < Ps ≤ 0.45 MPa
	1			0.45 < Ps ≤ 0.7 MPa
	2	kgf/cm <sup>2</sup>	kPa	Ps ≤ 1.5 kgf/cm <sup>2</sup>
	4			1.5 < Ps ≤ 3.0 kgf/cm <sup>2</sup>
	6			3.0 < Ps ≤ 4.5 kgf/cm <sup>2</sup>
	10			4.5 < Ps ≤ 7.0 kgf/cm <sup>2</sup>
	2	kgf/cm <sup>2</sup>	MPa	Ps ≤ 1.5 kgf/cm <sup>2</sup>
	4			1.5 < Ps ≤ 3.0 kgf/cm <sup>2</sup>
	6			3.0 < Ps ≤ 4.5 kgf/cm <sup>2</sup>
	10			4.5 < Ps ≤ 7.0 kgf/cm <sup>2</sup>
	200	kPa	kgf/cm <sup>2</sup>	Ps ≤ 150 kPa
	400			150 < Ps ≤ 300 kPa
	600			300 < Ps ≤ 450 kPa
1000	450 < Ps ≤ 700 kPa			
0.2	MPa	kgf/cm <sup>2</sup>	Ps ≤ 0.15 MPa	
0.4			0.15 < Ps ≤ 0.3 MPa	
0.6			0.3 < Ps ≤ 0.45 MPa	
1			0.45 < Ps ≤ 0.7 MPa	

**DIMENSIONS**

[Unit: mm]



Note) The illustration is for regulator with filter incorporated with pressure adjustment wheel and 40 mm dia. pressure gauge.

Please, read 'Terms and Conditions' from following URL before the order and use.

<http://www.azbil.com/products/bi/order.html>

*Specifications are subject to change without notice.*

**azbil**

---

## Azbil Corporation

Advanced Automation Company

1-12-2 Kawana, Fujisawa  
Kanagawa 251-8522 Japan  
URL: <http://www.azbil.com/>

14th edition: July 2015

*No part of this publication may be reproduced or duplicated without the prior written permission of Azbil Corporation.*