

ACTIVAL™

Motorized Two-Way Valve with Flanged-End Connection for High Differential Pressure Application (JIS 10K-FC200, -SCS13A)

General

ACTIVAL Model VY51XXJ for high differential pressure application is a series of motorized two-way valves with flanged-end connection. The valve and actuator are integrated in a single unit.

The valve size ranges from DN15 to DN150. The actuator has a reversible synchronous motor, which operates at a low voltage of 24 V AC.

4 kinds of control signals are available to operate ACTIVAL.

1. Built-in 135 Ω feedback potentiometer:
Provides proportional control in combination with a DDC controller, including Infilex™ GC (Model WY5111).
2. Nominal 135 Ω resistance input:
Provides proportional control in combination with a proportionally controlled electric controller, including Neostat™ (Model TY900XZ/TY9800).
3. 4-20 mA DC input:
Provides proportional control in combination with a direct digital controller (DDC), including Infilex™ GC (Model WY5111) and Model R35/R36.
4. 2-10 V DC input:
Provides proportional control in combination with a DDC controller, including Infilex™ AC (Model WY5117).

* DDC: Direct Digital Control
JIS: Japanese Industrial Standards



Features

- Applicable to high differential pressure applications: Water flow is controlled inside the valve to prevent over pressure drop, leading to cavitation erosion resistance. (See Fig. 1.)
- Compact and lightweight: Rotary motor actualizes small body and light weight.
- Valve and actuator integrated in a single unit: Pre-assembled body requires no adjustment.
- A variety of control signals available:
 - Nominal 135 Ω feedback potentiometer
 - Nominal 135 Ω resistance input
 - 4-20 mA DC input
 - 2-10 V DC input
- Valve applicable to high differential pressure, high Cv value, wide rangeability, and low leakage
- Durable actuator with low power consumption
- Modified linear flow characteristics
- 2-10 V DC output (for position feedback) available with 4-20 mA DC input type and 2-10 V DC input type

IMPORTANT:

To control ACTIVAL with a third-party controller, please consult with Azbil Corporation's sales personnel.




Safety Instructions

Please read instructions carefully and use the product as specified in this manual. Be sure to keep this manual near by for ready reference.


















Usage Restrictions

This product is targeted for general air conditioning. Do not use this product in a situation where human life may be affected. If this product is used in a clean room or a place where reliability or control accuracy is particularly required, please contact Azbil Corporation's sales representative. Azbil Corporation will not bear any responsibility for the results produced by the operators.

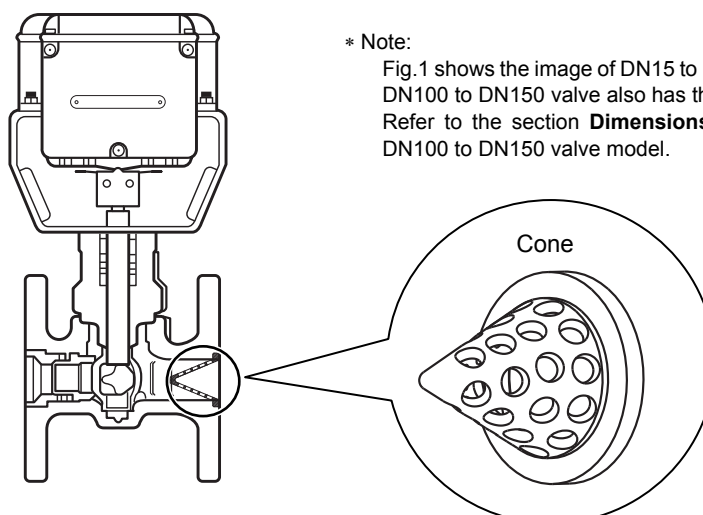
WARNING

-  • This product weighs 18 kg or over (depending on the models). To prevent hazardous accident and severe injury, move or carry the product with enough manpower or using a vehicle.
-  • DN100 to DN150 model valve is wrapped in a buffer material. Do not remove the buffer material before installation. The valve without buffer material can cause severe injury or can get damaged if falling.
-  • Do not disassemble the product. Disassembly may result in electrical shock or equipment damage.

CAUTION

-  • Installation and wiring must be performed by qualified personnel in accordance with all applicable safety standards.
-  • Disconnect power from ACTIVAL before performing any wiring or maintenance to prevent equipment damage.
-  • All wiring must comply with local codes of indoor wiring and electric installation rules.
-  • Use crimp terminal lugs with insulation for electric wires to be connected to the screw terminals.
-  • Make sure all the wires are tightly connected to the screw terminals. Loose connection may cause fire or heat generation.
-  • Install the ACTIVAL in the position as specified in this manual. Excessively tight connection of the valve to a pipe and improper installation position may damage the valve.
-  • Do not install the ACTIVAL in a location close to a steam coil or a hot-water coil. High temperature radiation may result in an actuator malfunction.
-  • After installation, make sure no fluid leaks from the connecting parts of valve and pipes. Incorrect piping may cause fluid leakage.
-  • Do not allow any foreign substance inside the piping. Flush the piping so that no foreign substance remains. Attach a strainer (with 40 or more meshes) in a pipe on the inflow side of the ACTIVAL to prevent equipment damage.
-  • This product must be operated within its rated operating ranges specified in this manual. Failure to comply will cause equipment damage.
-  • This product must be operated under the operating conditions (power, temperature, humidity, vibration, shock, installation position, atmospheric condition, etc) specified in this manual to prevent equipment damage.
-  • Avoid using the product (actuator, valve, and other components) in a corrosive gas including oxide gas and explosive gas.
-  • Operate the ACTIVAL within the service life, and avoid application that keeps product operating cycle excessively frequent so as not to shorten its service life.
-  • Do not leave the controlled fluid frozen to prevent equipment damage or fluid leakage.
-  • Do not put heavy load on the actuator.
-  • Avoid touching the installed ACTIVAL (valve body, yoke, joint). When being used to control hot water, it reaches high temperature and may cause burn injury.
-  • Dispose of this product as an industrial waste in accordance with your local regulations. Do not reuse all or part of this product.

Mechanism of Cavitation Erosion Resistance



* Note:
 Fig.1 shows the image of DN15 to DN80 valve model.
 DN100 to DN150 valve also has the cone as well.
 Refer to the section **Dimensions** for the image of
 DN100 to DN150 valve model.

Figure 1. Mechanism of cavitation erosion resistance

Model Numbers

Model VY51XXJ0XXX is the model for the valve and actuator integrated into a single unit. The model number label is attached to the yoke. The control signal is indicated on the actuator label and on the wiring diagram as follows:

- Nominal 135 Ω feedback potentiometer:

F.B. Pot

- Nominal 135 Ω resistance input:

135 Ω

- 4-20 mA DC input:

4-20 mA

- 2-10 V DC input:

2-10 V

Base model number	Actuator/valve		Actuator		Valve	Description
	Control signal	Rating/material	Type	—	Nominal size / Cv	
VY51						Motorized two-way valve with flanged-end connection
	1					Nominal 135 Ω feedback potentiometer
	2					Nominal 135 Ω resistance input
	3					4 mA DC to 20 mA DC input with 2 V DC to 10 V DC feedback output
	4					2 V DC to 10 V DC input with 2 V DC to 10 V DC feedback output
		3				JIS 10K / FC200 [for chilled/hot water] with cavitation erosion resistant mechanism
			4			JIS 10K / SCS13A [for chilled/hot water] with cavitation erosion resistant mechanism
			J			IEC IP54 protected and standard torque type actuator with terminal block for DN15 to DN125 valve
				0		
					012	DN15 (1/2") / 2.5 in Cv value
					020	DN25 (1") / 6.8 in Cv value
					021	DN25 (1") / 10 in Cv value
					040	DN40 (1 1/2") / 16 in Cv value
					041	DN40 (1 1/2") / 25 in Cv value
					050	DN50 (2") / 40 in Cv value
					060	DN65 (2 1/2") / 65 in Cv value
					080	DN80 (3") / 95 in Cv value
					101	DN100 (4") / 180 in Cv value (only for Model VY51X3)
					121	DN125 (5") / 234 in Cv value (only for Model VY51X3)
					151	DN150 (6") / 350 in Cv value (only for Model VY51X3)

Specifications

For weight, refer to the table shown in the section **Dimensions**.

Valve specifications

Item	Specification			
Model	Two-way valve with flanged-end connection			
Body pressure rating	JIS 10K (Max. pressure: 1.0 MPa)			
Size, Cv, close-off rating	Model number	Nominal size	Cv	Close-off ratings
	VY51XXJ0012	DN15 (1/2")	2.5	1.0 MPa
	VY51XXJ0020	DN25 (1")	6.8	1.0 MPa
	VY51XXJ0021	DN25 (1")	10	1.0 MPa
	VY51XXJ0040	DN40 (1 1/2")	16	1.0 MPa
	VY51XXJ0041	DN40 (1 1/2")	25	1.0 MPa
	VY51XXJ0050	DN50 (2")	40	1.0 MPa
	VY51XXJ0060	DN65 (2 1/2")	65	1.0 MPa
	VY51XXJ0080	DN80 (3")	95	1.0 MPa
	VY51X3J0101	DN100 (4")	180	0.5 MPa
	VY51X3J0121	DN125 (5")	234	0.5 MPa
VY51X3J0151	DN150 (6")	350	0.5 MPa	
Materials	Body	Model VY51X3J: Cast iron (JIS FC200) Model VY51X4J: Stainless steel (JIS SCS13A)		
	Plug, stem	Stainless steel (JIS SCS13A)		
	Cone	Model VY51XXJ00XX (DN15 to DN80): Stainless steel (JIS SCS13A) Model VY51X3J01X1 (DN100 to DN150): Cast iron (JIS SCPH2)		
	Seat ring	Heat-resistant PTFE		
	Gland packing	Inorganic fiber		
	Gasket	Non-asbestos joint sheet		
End connection	Flanged-end connection (JIS 10K) Model VY51X3J (JIS FC200): Flat face (FF) Model VY51X4J (JIS SCS13A): Large raised face (RF)			
Allowable fluid temperature	Model VY51XXJ00XX (DN15 to DN80): 0 °C to 175 °C (non-condensing) Model VY51X3J01X1 (DN100 to DN150): 0 °C to 130 °C (non-condensing)			
Flow characteristics	Modified linear			
Rangeability	100 : 1			
Seat leakage	0.01 % or less of rated Cv value (0.0006 Cv or less for DN15 models)			
Paint	Body of Model VY51X3J (JIS FC200): Gray (equivalent to Munsell 5B 4/1) Body of Model VY51X4J (JIS SCS13A): Unpainted			
Applicable fluid	Chilled/hot water, high-temperature water, brine (ethylene glycol solutions, 50 % max.)			
Installation orientation	Installable in any position ranging from upright to sideways (90° tilted) *Always install in upright position outdoors.			
Actuator to be combined	Integrated with the valve			

Actuator specifications

(1/2)

Item	Specification	
Power supply	24 V AC ± 15 %, 50 Hz/60 Hz	
Applicable valve size	Standard torque type	DN100 to DN125
	High torque type	DN150
Power consumption	Standard torque type	Model VY511: 7 VA Model VY512/VY513/VY514: 8 VA
	High torque type	Model VY511: 9 VA Model VY512/VY513/VY514: 10 VA
Timing	63 ± 5 sec (50 Hz) / 53 ± 5 sec (60 Hz)	
Control signal input	Nominal 135 Ω feedback potentiometer (Total resistance: Nominal 135 Ω / Max. applied voltage: 5 V DC) Nominal 135 Ω resistance input 4 mA DC to 20 mA DC input (Input impedance: 100 Ω) 2 V DC to 10 V DC input (Input impedance: 150 kΩ or higher)	
Feedback signal output (only with 4-20 mA DC input and 2-10 V DC input)	Range: 2 V DC (0 % position) to 10 V DC (100 % position) Max. load resistance: 10 kΩ or higher (Max. 1 mA)	

Item	Specification		
Environmental conditions		Rated operating condition	Transport/storage condition* ²
	Ambient temperature* ¹	-20 °C to 50 °C (Fluid temperature 0 °C to 150 °C)	-20 °C to 70 °C
		-20 °C to 40 °C (Fluid temperature 150 °C to 175 °C)	
	Ambient humidity	5 %RH to 95 %RH	
	Vibration	4.9 m/s ² (10 Hz to 150 Hz)	19.6 m/s ² (10 Hz to 150 Hz)
Notes:			
*1 Do not allow the fluid to freeze.			
*2 The actuator shall be packed during transport.			
<p>Ambient temperature (°C)</p> <p>Fluid temperature (°C)</p>			
Materials	Case	Aluminum alloy casting	
	Top cover, terminal cover	Plastic (polycarbonate resin) (Color: gray)	
	Yoke	Steel plate	
Surface finishing	Case	None	
	Yoke	Electro-galvanizing (Bright chromate finish)	
Installation location	Indoor / outdoor (Keep away from direct sunlight.)		
Installation orientation	Installable in any position ranging from upright to sideways (90° tilted). (If being installed outdoors, the actuator must be installed in upright position.)		
Valve position indication	Pointer located at the bottom of the actuator shows the position by pointing at the value (0: close to 100: open) of the scale on front, rear, and bottom sides.		
Manual operation	Available. Refer to the section Manually opening/closing the ACTIVAL .		
Wire connection	M3.5 screw terminal connection		
Enclosure rating	IEC IP54 (dust-proof and splash-proof)		
Insulation resistance	Between terminal and case: 5 MΩ or higher at 500 V DC		
Dielectric strength	Between terminal and case: 500 V AC/min with 5 mA or less leakage current		
Installation orientation	Installable in any position ranging from upright to sideways (90° tilted) *Always install in upright position outdoors.		
Preset position for shipment	100 % (fully open)		

Options

For options, separate order is required.

Item	Specification
Seal connector (Part No. 83104346-003)	Applicable wire size: φ7 mm to φ9 mm (Seal connector is necessary for IEC IP54 protection)
Auxiliary switch* (Part No.83165274-001)	Number of switches: 2 (SW A and SW B) Max. applied voltage/current: 30 V DC / 3 A Actuating position (SW A): Adjustable between 0 % (fully closed) and 100 % (fully open) (SW B): Adjustable between 0 % (fully closed) and 100 % (fully open)
Auxiliary potentiometer* (Part No. 83165275-001)	Number of potentiometer: 1 Total resistance: Nominal 1 kΩ Actuating position: 0 % (fully closed) and 100 % (fully open) Max. applied voltage: 5 V DC

* Note:

Either the auxiliary switch or auxiliary potentiometer can be added, but not both.

CE Marking Conformity

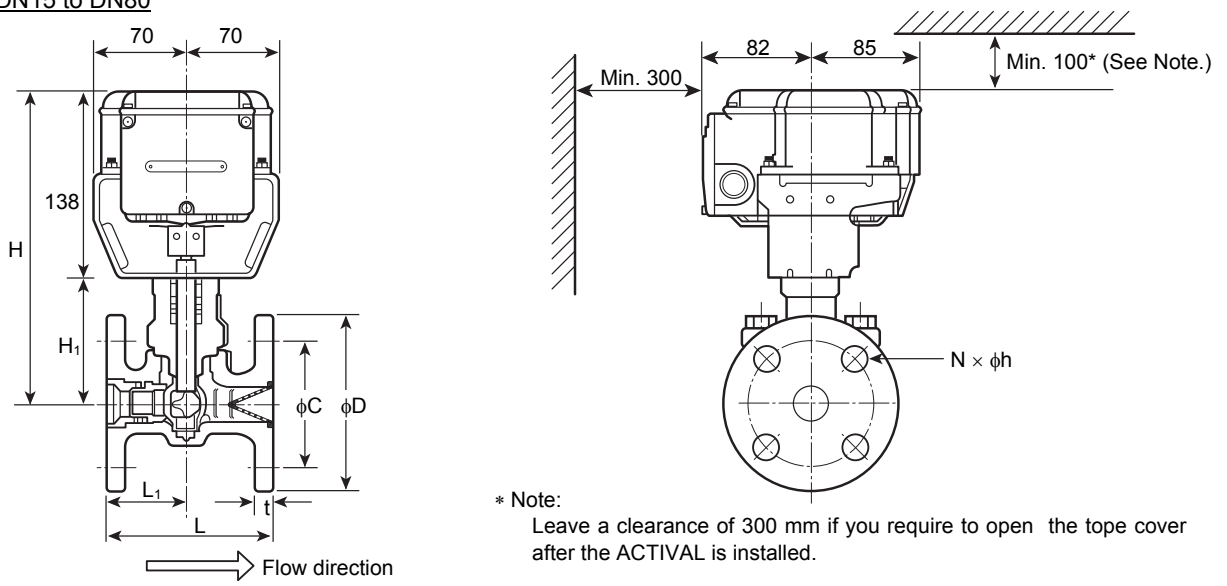
This product complies with the following Electromagnetic Compatibility (EMC).

EMC : EN61000-6-2, EN55011 Class A

Dimensions and Maintenance Clearance

Model VY51X3J (JIS FC200 valve)

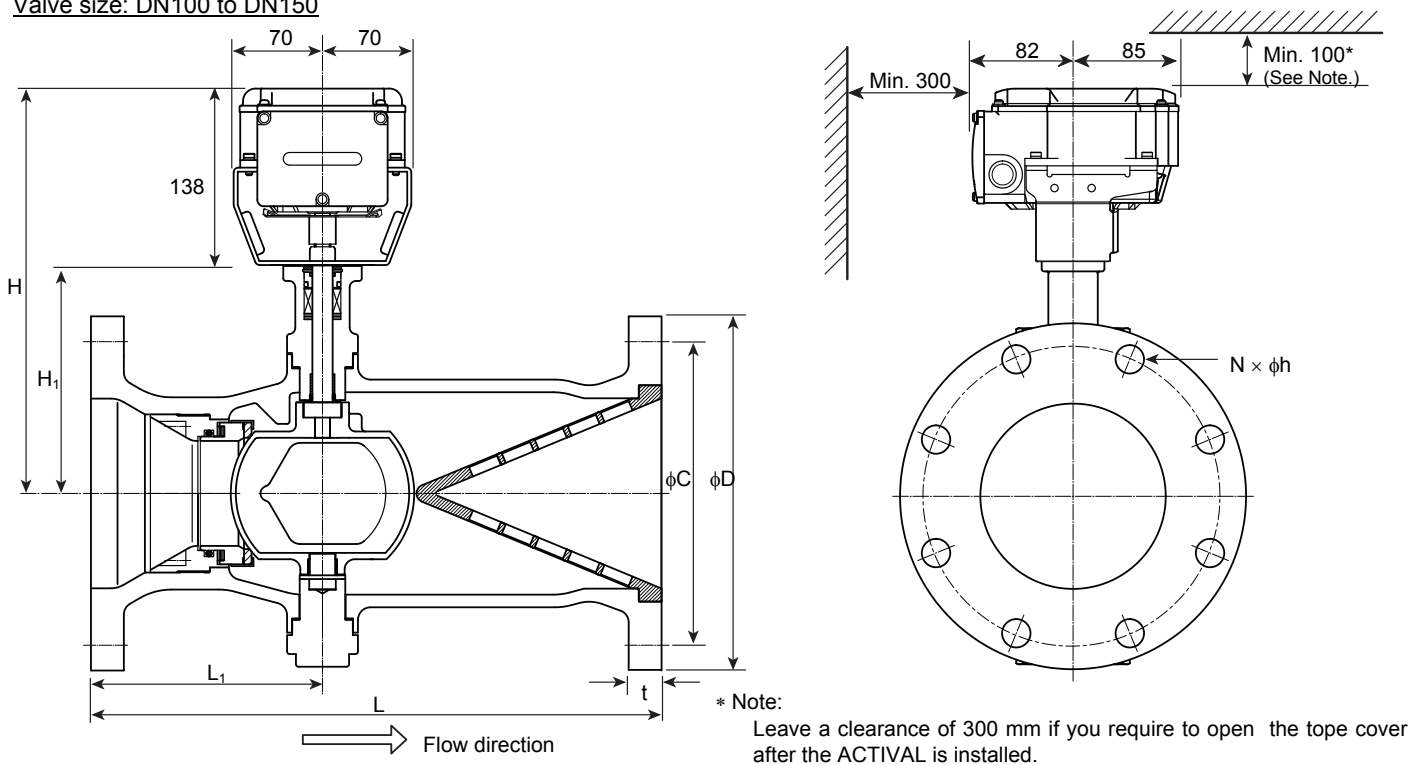
Valve size: DN15 to DN80



Valve size (DN)	H	H ₁	L	L ₁	t	φC	φD	φh	N	Weight (kg)
15	213	75	108	50	16	70	95	15	4	4.6
25	228	90	127	60	18	90	125	19	4	6.6
40	241	103	165	82.5	20	105	140	19	4	10
50	245	107	178	89	20	120	155	19	4	11.5
65	262	124	190	90	22	140	175	19	4	16
80	263	125	203	100	22	150	185	19	8	18.5

Figure 2. Dimensions and maintenance clearance (mm): Model VY51X3 (DN15 to DN80 valve model)

Valve size: DN100 to DN150

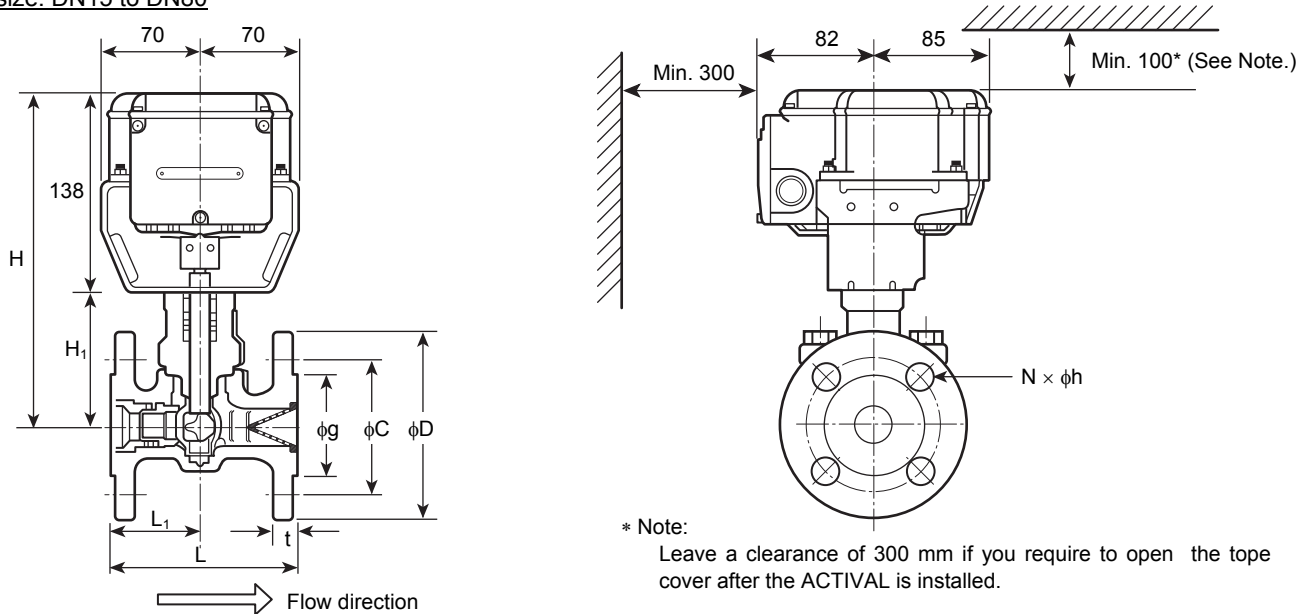


Valve size (DN)	H	H ₁	L	L ₁	t	φC	φD	φh	N	Weight (kg)
100	309.5	171.5	352	153	24	175	210	19	8	37
125	309.5	171.5	403	172	24	210	250	23	8	37
150	318	180	451	183	26	240	280	23	8	49

Figure 3. Dimensions and maintenance clearance (mm): Model VY51X3 (DN100 to DN150 valve model)

Model VY51X4J (JIS SCS13A valve)

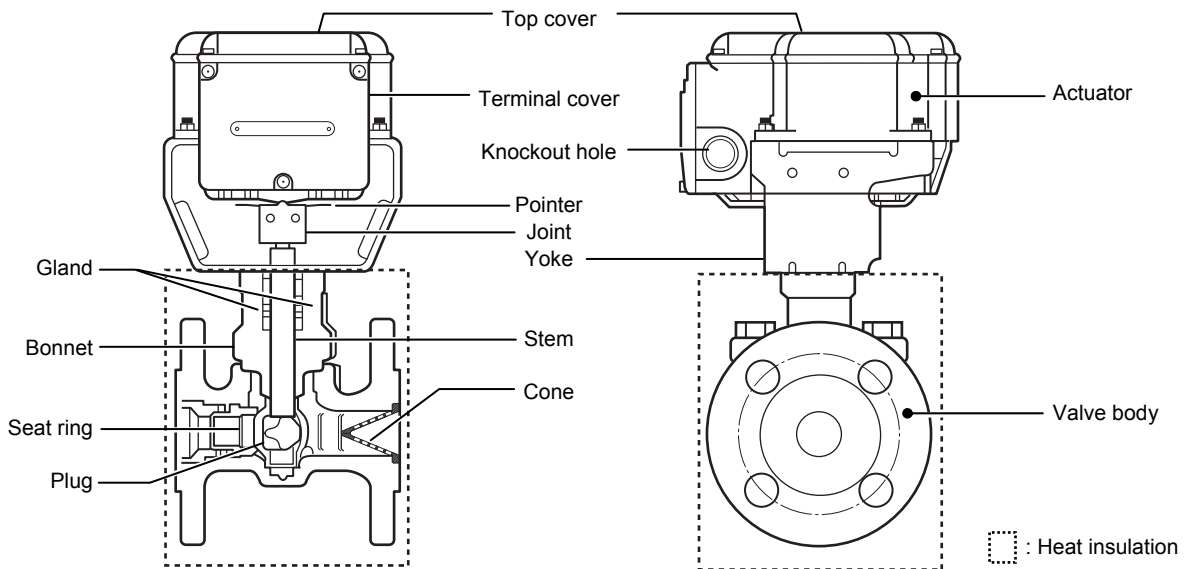
Valve size: DN15 to DN80



Valve size (DN)	H	H ₁	L	L ₁	t	φg	φC	φD	φh	N	Weight (kg)
15	213	75	108	50	12	51	70	95	15	4	4.6
25	228	90	127	60	14	67	90	125	19	4	6.6
40	241	103	165	82.5	16	81	105	140	19	4	10
50	245	107	178	89	16	96	120	155	19	4	11.5
65	262	124	190	90	18	116	140	175	19	4	16
80	263	125	203	100	18	126	150	185	19	8	18.5

Figure 4. Dimensions and maintenance clearance (mm): Model VY51X4

Parts Identification



* Note:

Fig.5 (above) shows the image of DN15 to DN80 valve model. Parts identification of DN100 to DN150 valve is the same. Refer to the section **Dimensions** for the image of DN100 to DN150 valve model.

Figure 5. Parts identification

Recommended Criteria to Prevent Cavitation Erosion

Cavitation erosion is likely to occur in the case that the pressure ratio X_F calculated by the following formula overreaches the criterion value.

$$X_F = \frac{P_1 - P_2}{P_1 - P_v}$$

X_F : Pressure ratio

P_1 : Absolute pressure of valve inlet [kPa (abs)]

P_2 : Absolute pressure of valve outlet [kPa (abs)]

P_v : Saturated vapor pressure of fluid* [kPa (abs)]

* Saturated vapor pressure of fluid varies depending on the fluid temperature.

Always keep the pressure ratio $X_F < 0.7$ (criterion value).

If the pressure ratio does not meet this criterion, cavitation erosion may occur. This value is thus necessary to prevent cavitation erosion. Note that cavitation itself may be generated even if the pressure ratio is kept below 0.7.

In addition to the pressure ratio, the flow velocity at the valve in 100 % position is another criterion for cavitation erosion.

$$\text{Flow velocity [m/s]} = 21.22 \times \frac{Q}{d^2}$$

Q = Flow rate [liter/min]

d = Valve size [DN (mm)]

Always keep the flow velocity < 7.0 m/s (criterion value) for chilled water and < 5.0 m/s (criterion value) for hot water.

If the flow velocity does not meet these criteria, cavitation erosion may occur.

Installation

Precautions for installation

⚠ CAUTION

- ❗ • Disconnect power from ACTIVAL before performing any wiring or maintenance (installation) to prevent equipment damage.
- ❗ • Install the ACTIVAL in the position as specified in this manual. Excessively tight connection of the valve to a pipe and improper installation position may damage the valve.
- ❗ • After installation, make sure no fluid leaks from the connecting parts of valve and pipes. Incorrect piping may cause fluid leakage.
- ❗ • Do not allow any foreign substance inside the piping. Flush the piping so that no foreign substance remains. Foreign substance can damage the valve.

- ACTIVAL Model VY51XXJ0 is the valve and actuator integrated into a single unit. Do not combine the valve with any other actuator, or do not combine the actuator with any other valve.
- To remove foreign substances inside the pipes, install a strainer (with 40 or more meshes) on the inflow side of each valve. In case that the strainers cannot be installed on the inflow side of each valve, install it on the pipe diverting sections (sections diverting from main piping system to sub piping system).
- Install the valve so that the flow direction of process fluid agrees with the arrow indicated on the valve body.
- After installation, remove buffer material wrapped around the valve (DN100 to DN150 model).

Installation location

⚠ CAUTION

- ❗ • Avoid using the ACTIVAL in an atmosphere containing oxidizing or explosive gas since it may corrode the actuator, valve, or their components.
- ❗ • The actuator may malfunction if being exposed to high temperature radiation. Do not install it near by steam coil or hot water (high temperature) coil.

IMPORTANT:

- The covers might be corroded by some chemical and organic solvent/vapor. Do not clean the ACTIVAL using such substances, or do not expose the ACTIVAL to such substances.
 - Although the ACTIVAL can be used in high humidity environments (max. 95 %RH), do not immerse the actuator in water.
 - Although the ACTIVAL can also be used outdoors, be sure not to expose the ACTIVAL to direct sunlight.
- Install the ACTIVAL in a position allowing easy access for maintenance and inspection. Figs 2 to 4 show the minimum clearance for maintenance and inspection. When installing the ACTIVAL in a ceiling space, provide an access hole within the 50 cm radius of the ACTIVAL. And, place a drain pan under the valve.
 - Do not mount the ACTIVAL on a pipe where water hammer occurs, or where solid objects including slug may accumulate.

Mounting position

The ACTIVAL can be mounted in any position ranging from upright to sideways (90° tilted). The ACTIVAL should be installed with its actuator vertically positioned above the valve body. (See Fig. 6.) However, the ACTIVAL must be installed always in upright position outdoors.

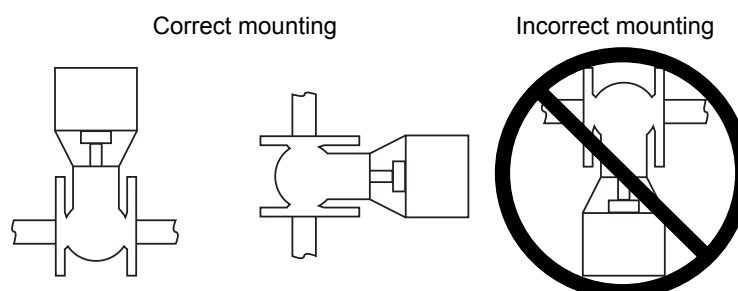


Figure 6. ACTIVAL mounting positions

Piping

- Check that the model number of the product is what you ordered. The model number is shown on the label attached to the yoke.
- Install a bypass pipe and gate valves on the inflow, outflow, and bypass sides. Also, install a strainer on the inflow side.
- Before activating the ACTIVAL, fully open (in 100 % position) the valve and flush the pipes at the maximum flow rate to remove all the foreign substances. (Factory preset position: 100 %)

Heat insulation

Do not apply heat insulation to the actuator or to the yoke, as [] shows in Fig. 5. If the yoke and the actuator are covered with insulation material, the pointer cannot be checked and may be distorted.

Factory preset position

The actuator shaft is positioned at 100 % (in fully open position) for shipment. The shaft is thus completely turned clockwise, and the pointer points at '100'. (See Fig. 7.)

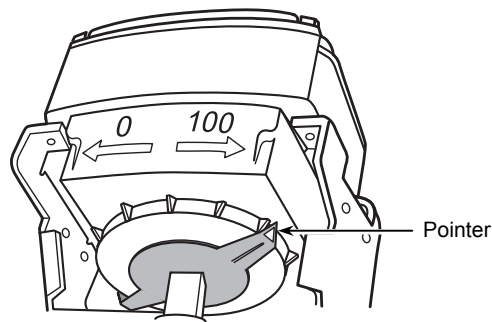


Figure 7. Preset pointer position for shipment

Manually opening/closing the ACTIVAL

IMPORTANT:

- Manually opening/closing the ACTIVAL with the power (24 V AC) applied may damage the actuator.
- To manually open/close the ACTIVAL, do not turn the joint beyond the fully open/closed mark.
- To manually open/close the ACTIVAL, slowly turn the joint. If shock is sent to the actuator, the actuator may get damaged.

Disconnect the power from the ACTIVAL before manually operating the ACTIVAL. As shown in Fig. 8, from the front of the ACTIVAL, hold the joint using a tool such as a wrench, and turn the joint slowly toward the set position.

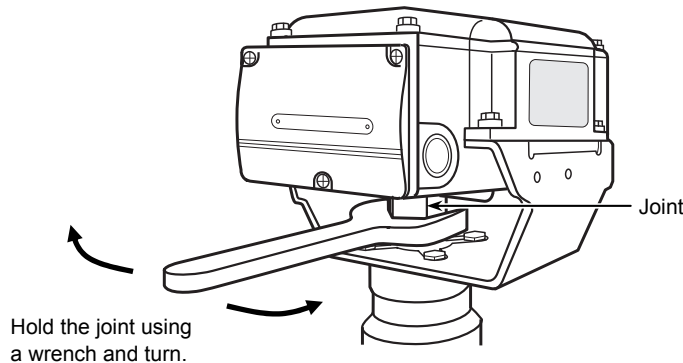


Figure 8. Manual operation

Auxiliary switch / Auxiliary potentiometer (optional)**IMPORTANT:**

- The auxiliary switch/potentiometer is installed on site. Refer to the instructions supplied with the auxiliary switch/potentiometer for installation.
- Do not open the top cover except when adjusting the auxiliary switch/potentiometer. Close the top cover instantly after adjusting the auxiliary switch/potentiometer.
- Do not put any load on the top cover.

Procedure to change the actuator mounting position**IMPORTANT:**

- Do not change the combination of the valve, yoke, and actuator.
- Set the ACTIVAL (actuator and valve) in 100 % position before changing the mounting position. If the valve in 0 % position is assembled with the actuator in 100 % position, the actuator put torque on the closed valve, and the gear of the actuator get damaged.

- 1) Remove the screws connecting the actuator and the yoke. Lift the actuator and detach it from the yoke. Make sure that the groove on the top of the valve stem is parallel to the pipes (indicating the valve in 100 % position). <Step 1 in Fig. 9>
- 2) Remove the screws connecting the yoke and the valve. <Step 2 in Fig. 9>
- 3) Change the facing direction of the yoke. The yoke and actuator can be horizontally rotated every 90° (0°/90°/180°/270° from the factory preset position) to mount onto the valve.
- 4) A thermal insulation sheet is inserted between the yoke and the valve. When changing the mounting positions, reinsert the sheet and then fit the yoke into the new mounting position.
- 5) Before fixing the yoke to the valve with the screws, check that the actuator engages correctly with the valve stem (at the new mounting position). Check that the pointer of the actuator indicates 100 % position as well. Then, fix the yoke to the valve. <Step 3 in Fig. 9>
- 6) Mount the actuator. Place the actuator, with its facing direction changed, on the yoke, and fix with the screws.
- 7) Check that the ACTIVAL with the mounting position changed operates smoothly (from 0 % to 100 %).

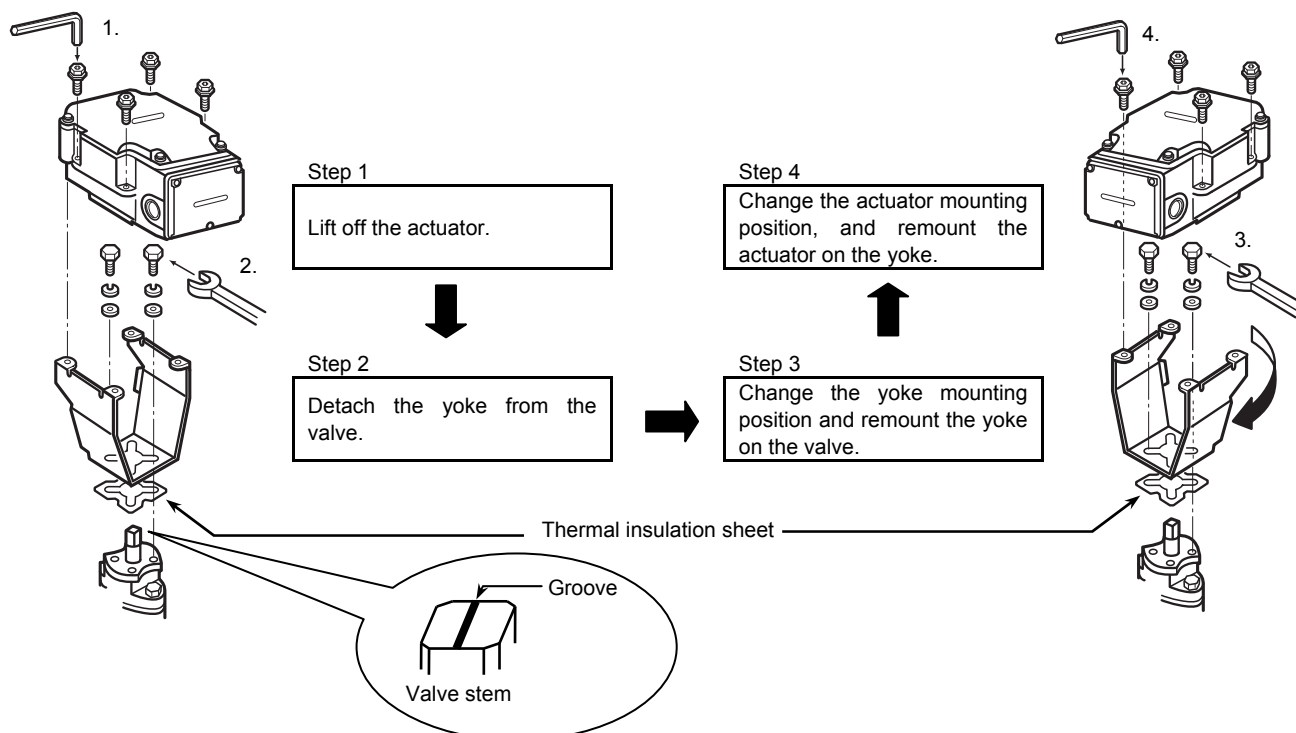


Figure 9. Changing the actuator mounting position

Wiring

⚠ CAUTION	
!	<ul style="list-style-type: none"> • Disconnect power from ACTIVAL before performing any wiring or maintenance (installation) to prevent equipment damage.

<p>IMPORTANT:</p> <ul style="list-style-type: none"> • The ACTIVAL is designed for 24 V AC power supply voltage. Do not apply any other power voltage (e.g., 100 V AC, 200 V AC) to the ACTIVAL. • For 2-10 V DC input type and 4-20 mA DC input type, make sure the polarity of the power supply and 2-10 V DC feedback output referring to Figs 12 to 16. Incorrect wiring may result in PCB (print circuit board) burnout. • To prevent damage, cover the terminals except when connecting/disconnecting wires. • Do not connect 24 V AC power to the terminals 4 to 7.

Wiring procedure

- 1) To lead the wires to the terminals, cut out a knockout hole for a wiring port. Two knockout holes are provided on the bilateral sides of the actuator terminals. Select a knockout hole according to the conduit mounting direction, and cut it out by lightly knocking the hole using a screwdriver.

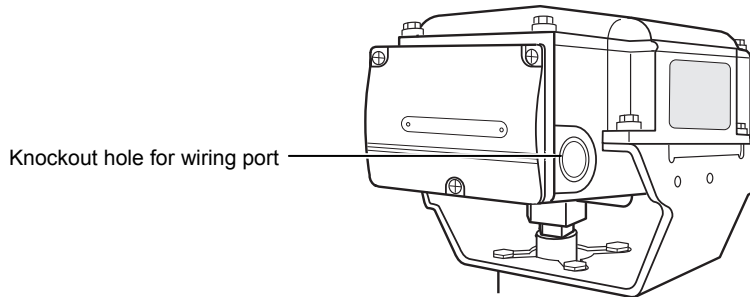


Figure 10. Knockout hole for wiring port

- 2) Unscrew the 3 setscrews (M4 × 10) of the terminal cover and remove the terminal cover, as shown in Fig. 11.

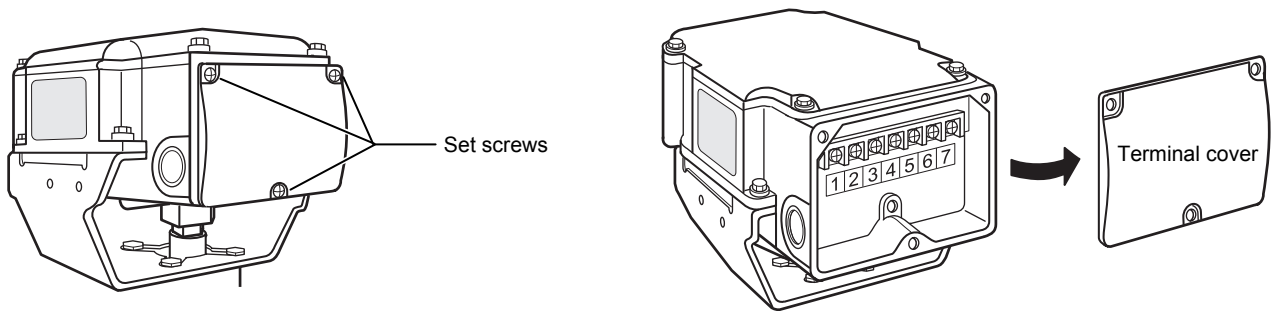


Figure 11. Terminal cover removal

- 3) Correctly connect the wires to the terminals with M3.5 screw terminal lugs, referring to Figs 12 to 20.
- 4) When the ACTIVAL is used in a high-humidity environment or outdoors, use a water-proof connector for the wiring port.

To keep IP54 protection (dust-proof and splash-proof),

Use a water-proof connector for the ACTIVAL in a high-humidity environment or outdoor location.

- Be sure to completely close the terminal cover and the top cover.
- Waterproof the wiring port.
 - For cable connection, use a water-proof connector. (Seal connector Part No. 83104346-003 is recommended.)
 - For conduit connection, use a water-proof plica tube or the like.

Terminals connection

Model VY511XJ0XXX

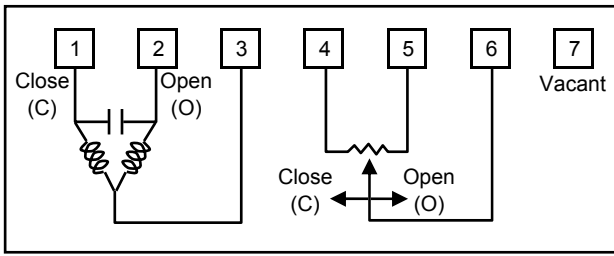


Figure 12. Terminals connection of Model VY511XJ0XXX (Nominal 135 Ω feedback potentiometer type)

* Note:

Controller that receives voltage between the terminals 4 and 6 as feedback signal is recommended to connect.

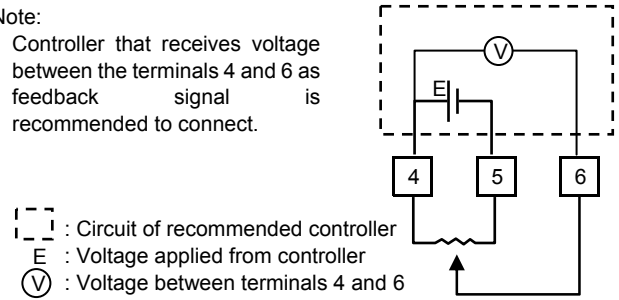


Figure 13. Circuit of recommended controller

Model VY512XJ0XXX

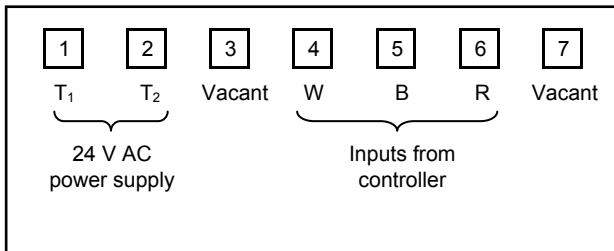
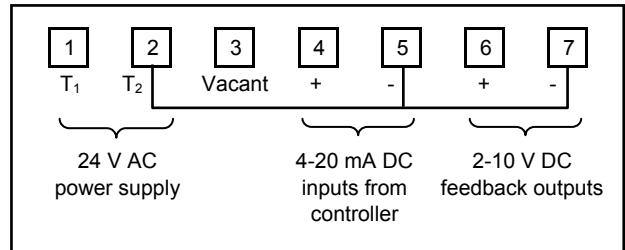


Figure 14. Terminals connection of Model VY512XJ0XXX (Nominal 135 Ω resistance input type)

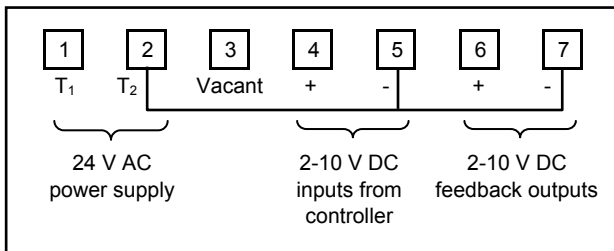
Model VY513XJ0XXX



Note: Terminals 2, 5, and 7 are connected inside the actuator.

Figure 15. Terminals connection of Model VY513XJ0XXX (4-20 mA DC input type)

Model VY514XJ0XXX



Note: Terminals 2, 5, and 7 are connected inside the actuator.

Figure 16. Terminals connection of Model VY514XJ0XXX (2-10 V DC input type)

Connection examples (Connection to Azbil Corporation's controllers)

Connection to Inflex™ GC

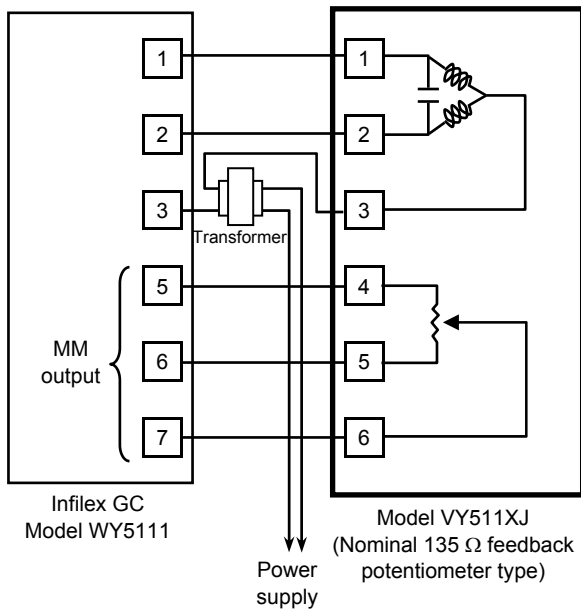


Figure 17. Connection example: Model VY511XJ to Model WY5111

Connection to Neostat™ (Model TY900XZ)

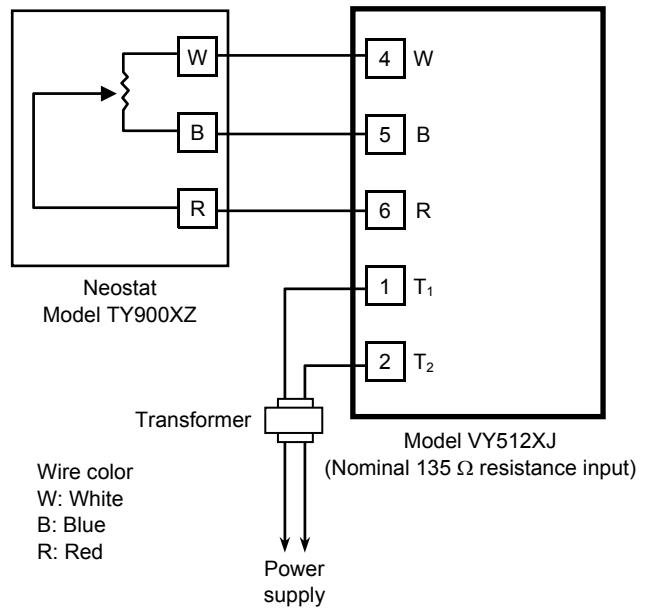
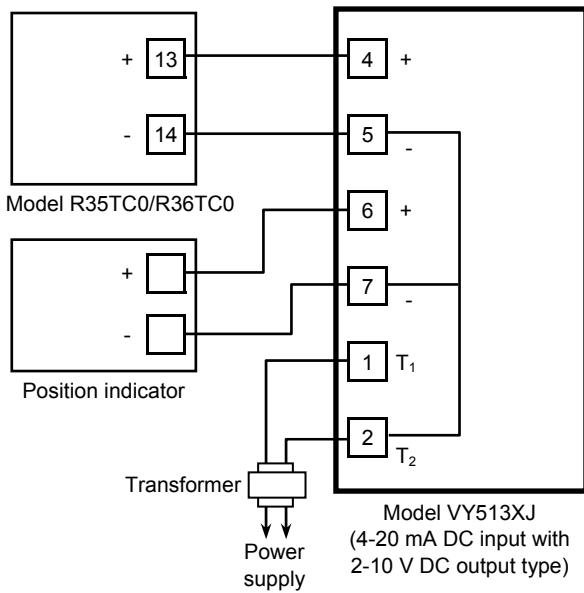


Figure 18. Connection example: Model VY512XJ to Model TY900XZ

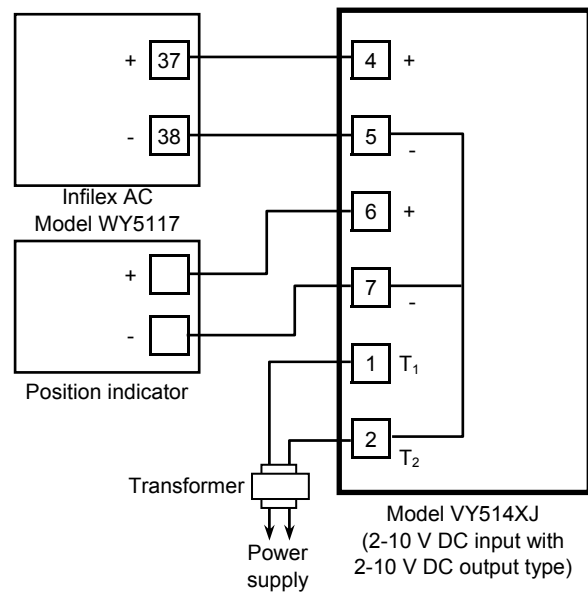
Connection to R series controller



Note: The terminals 2, 5, and 7 of the actuator are not isolated inside.

Figure 19. Connection example: Model VY513XJ to Model R35TC0/R36TC0

Connection to Inflex™ AC

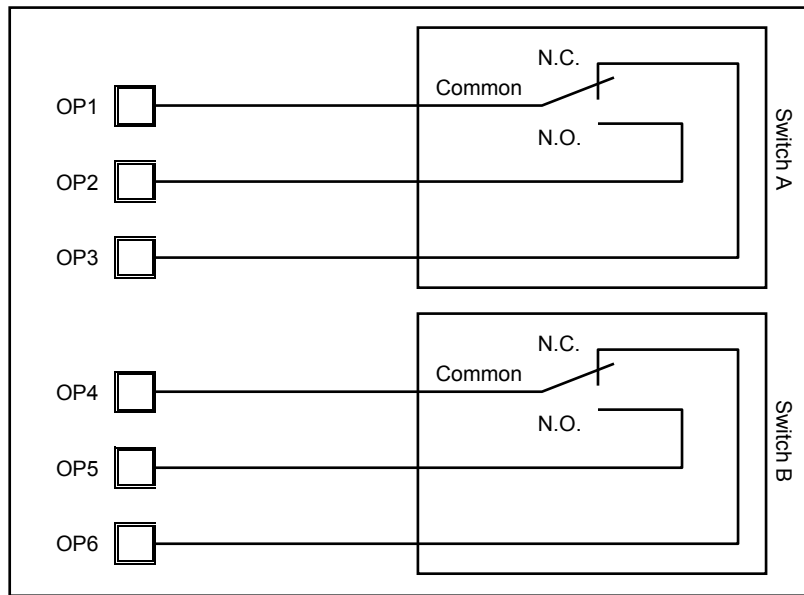


Note: The terminals 2, 5, and 7 of the actuator are not isolated inside.

Figure 20. Connection example: Model VY514XJ to Model WY5117

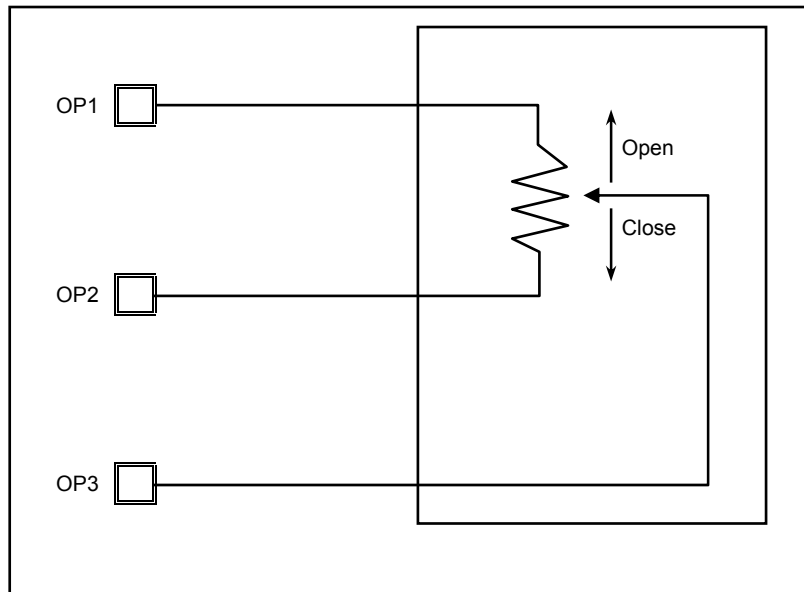
Internal Connection of Auxiliary Switch / Auxiliary Potentiometer

Auxiliary switch Part No. 83165274-001



Switches A and B actuating position: Adjustable between 0 % (fully closed) and 100 % (fully open)
 Figure 21. Internal connection of Model 83165274-001

Auxiliary potentiometer Part No. 83165275-001



Potentiometer operating position: Adjustable between 0 % (fully closed) and 100 % (fully open)
 Figure 22. Internal connection of Model 83165275-001

Inspection and Maintenance

⚠ CAUTION



- Avoid touching the installed ACTIVAL (valve body, yoke, joint). When being used to control hot water, it reaches high temperature and may cause burn injury.

- Inspect the ACTIVAL according to Table 1.
 - Manually open/close the ACTIVAL at least once a month if it is left in inactive state for a long period.
 - Visually inspect the fluid leakage of the valve and the actuator operations every six months. If any of the problems described in Table 2 are found, take corresponding actions shown in the table.
- If your problem is not solved by the corresponding action, please contact Azbil Corporation near you.

Table 1. Inspection items and details

Inspection item	Inspection interval	Inspection detail
Visual inspection	Semiannual	<ul style="list-style-type: none"> • Fluid leakage from the gland and the flange face • Loosened bolts • Valve and actuator damages
Operating status	Semiannual	<ul style="list-style-type: none"> • Unstable open/close operation • Abnormal noise and vibration
Routine inspection	Any time	<ul style="list-style-type: none"> • Fluid leakage to the outside • Abnormal noise and vibration • Unstable open/close operation • Valve hunting

Table 2. Troubleshooting

Problem	Part to check	Action
Fluid leaks from the flange face.	Loosened flange bolts Gasket on the flange face Misaligned piping	Tighten the flange bolts. Replace the gasket. Redo piping.
Fluid leaks from the gland.	—	Consult with our sales personnel.
Fluid leaks from the bonnet.	Loosened bolts	Tighten the bolts.
Valve does not operate smoothly / valve stops halfway / valve does not operate at all.	Conditions of the power applied and of the input signal applied Loosened terminals Wiring conditions / disconnected wires	Check the power supply and the controller connected to. Tighten the terminals. Check the wiring.
Fluid leaks to the outside of the ACTIVAL when the valve is in fully closed position.	Actuator pointer not pointing to fully closed position	Fully close the ACTIVAL.
The valve vibrates or produces an abnormal noise.	Primary pressure condition Differential pressure condition	Adjust the mounting position and change the installation location.
The auxiliary switch does not actuate.	Auxiliary switch (cam switch) condition Loosened terminals Wiring condition / disconnected wires	Redo the cam switch setting. Tighten the terminals. Check the wiring.
The auxiliary potentiometer does not operate.	Condition of resistance Loosened terminals Wiring condition / disconnected wires	Check the resistance value (1 kΩ). Tighten the terminals. Check the wiring.
Valve hunting occurs.	Secondary pressure condition Differential pressure condition Control stability	Adjust the mounting position and change installation location. Connect the control parameters setting for controller.
Voltage/current input signal disagrees with the feedback output signal.	To completely shut off the valve, valve open and close (0-100% position) operation is controlled by 10-90 % range of actuator voltage/current input signal. Voltage/current input signal therefore disagrees with the feedback signal, and this is not an error.	

ACTIVAL, Inflex, and Neostat are trademarks or registered trademarks of Azbil Corporation in Japan or in other countries.

Specifications are subject to change without notice.

Azbil Corporation

Building Systems Company

1-12-2 Kawana, Fujisawa, Kanagawa
251-8522 JAPAN

<http://www.azbil.com/>